

барабан

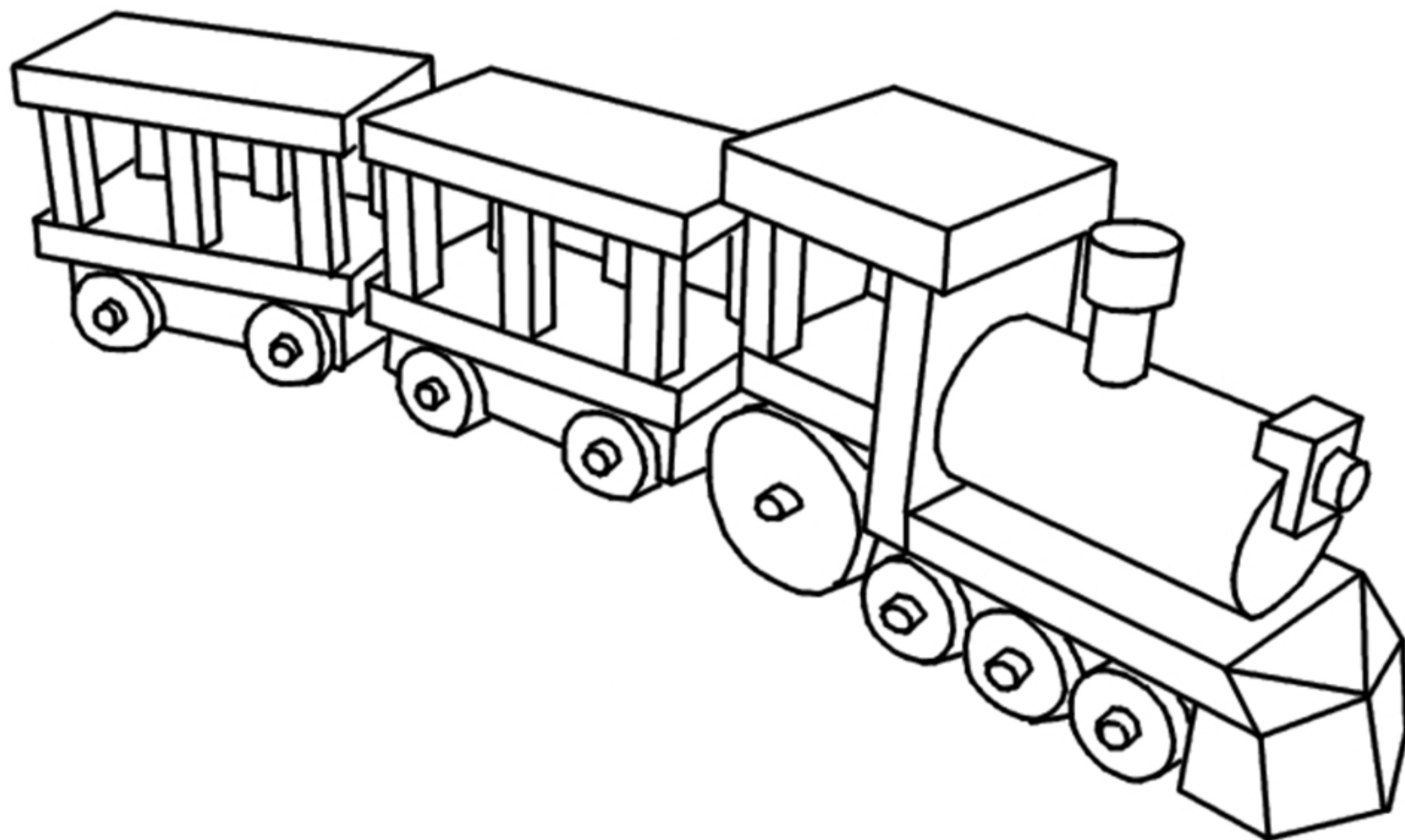
drum [drʌm]



© All And  
www.umm4.com

www.umm4.com

© All And

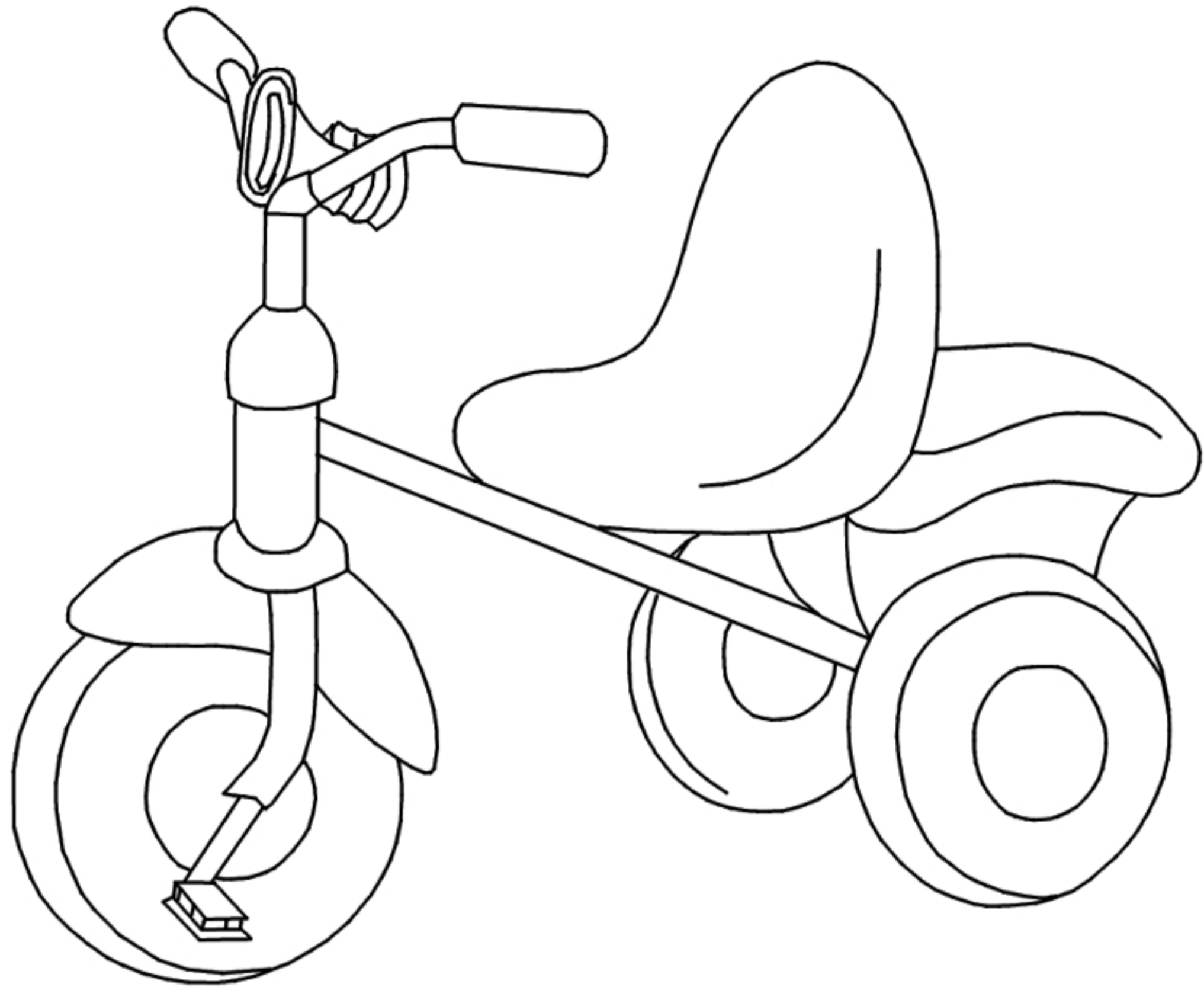


паровозик с вагонами

train set [treɪn set]

велосипед

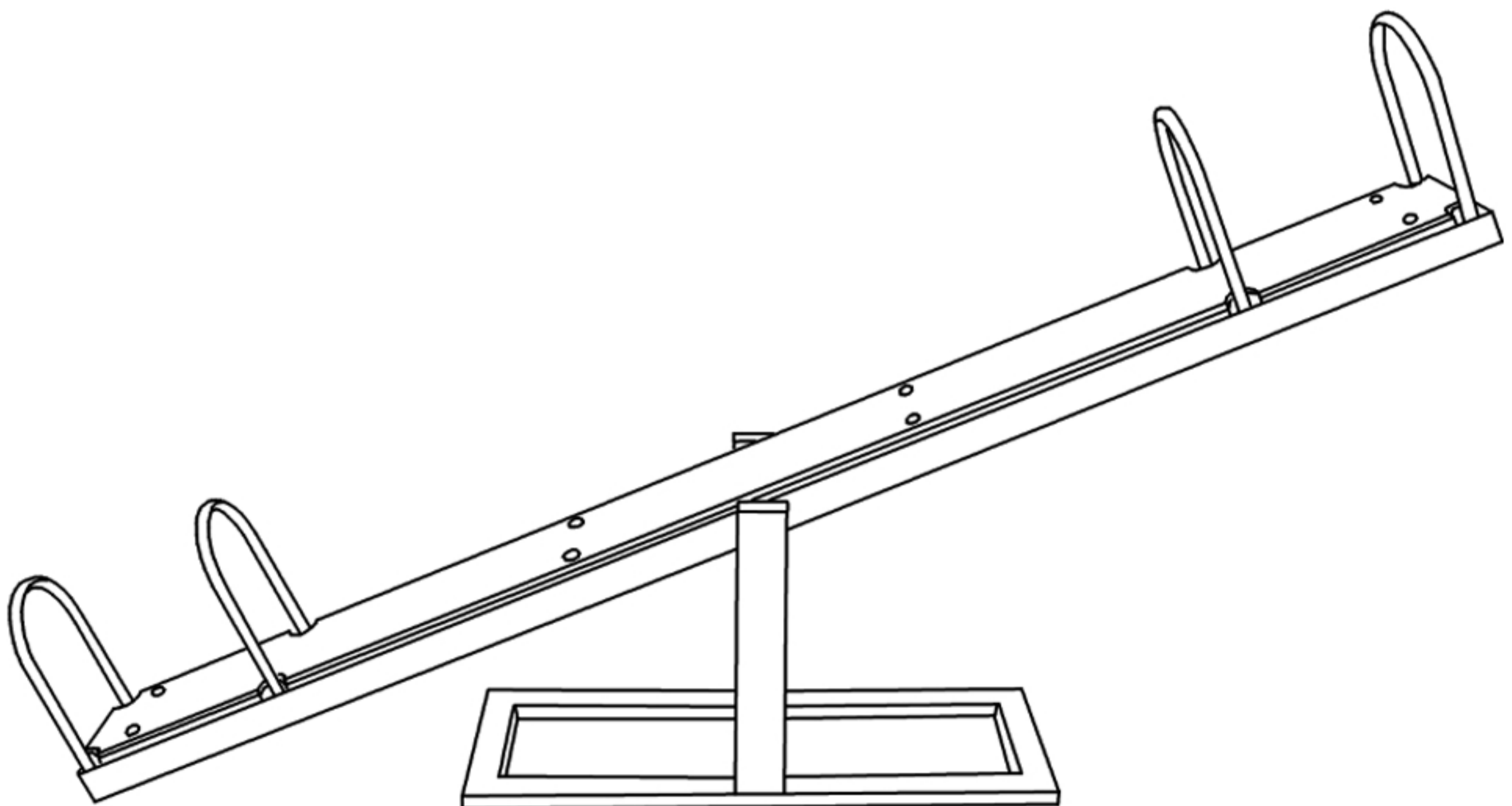
bicycle [ˈbaɪsɪkl]



© All And  
www.umm4.com

www.umm4.com

© All And

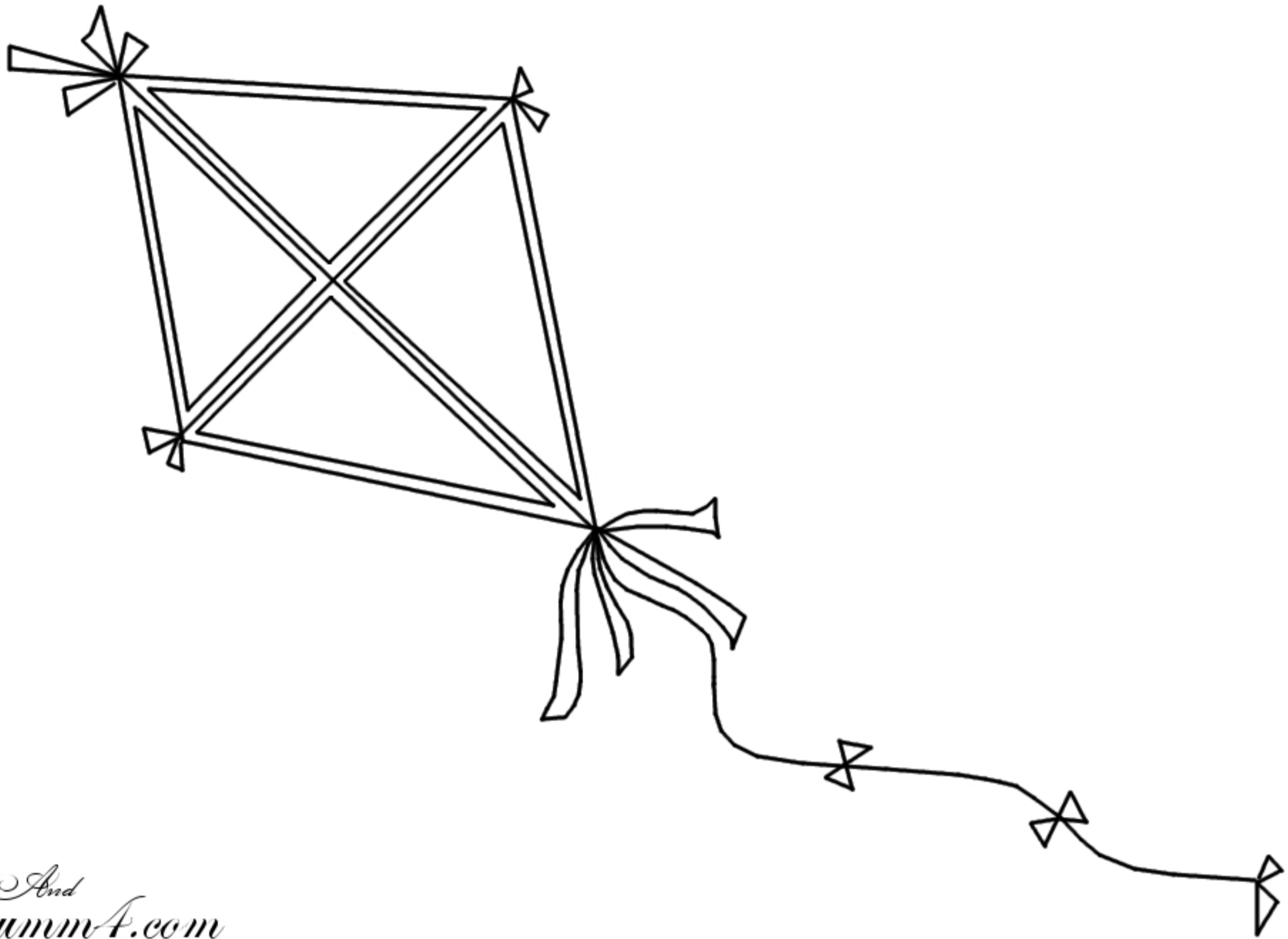


качели

seesaw [ˈsiːsəː]

воздушный змей

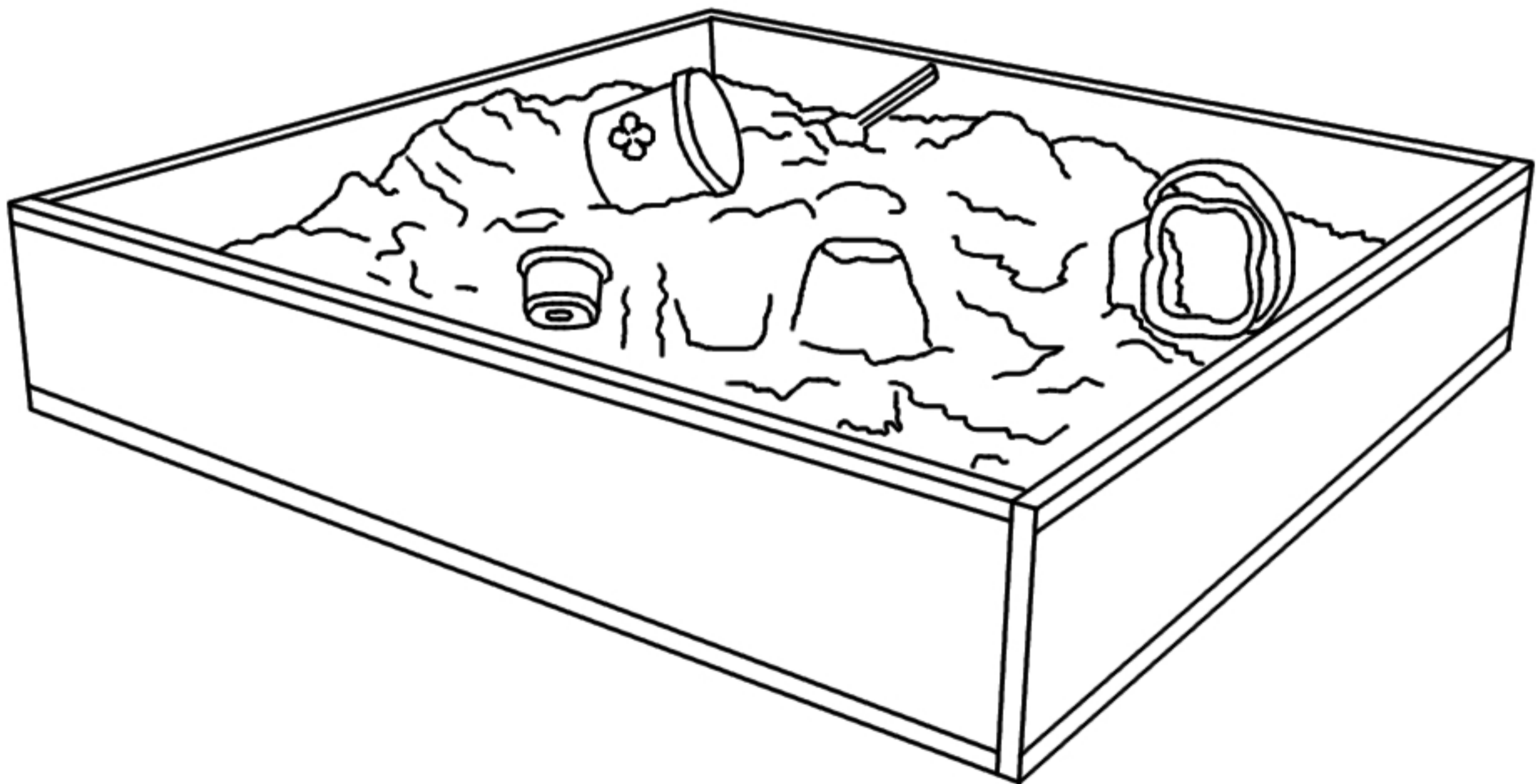
kite [kɑɪt]



© All And  
www.umm4.com

www.umm4.com

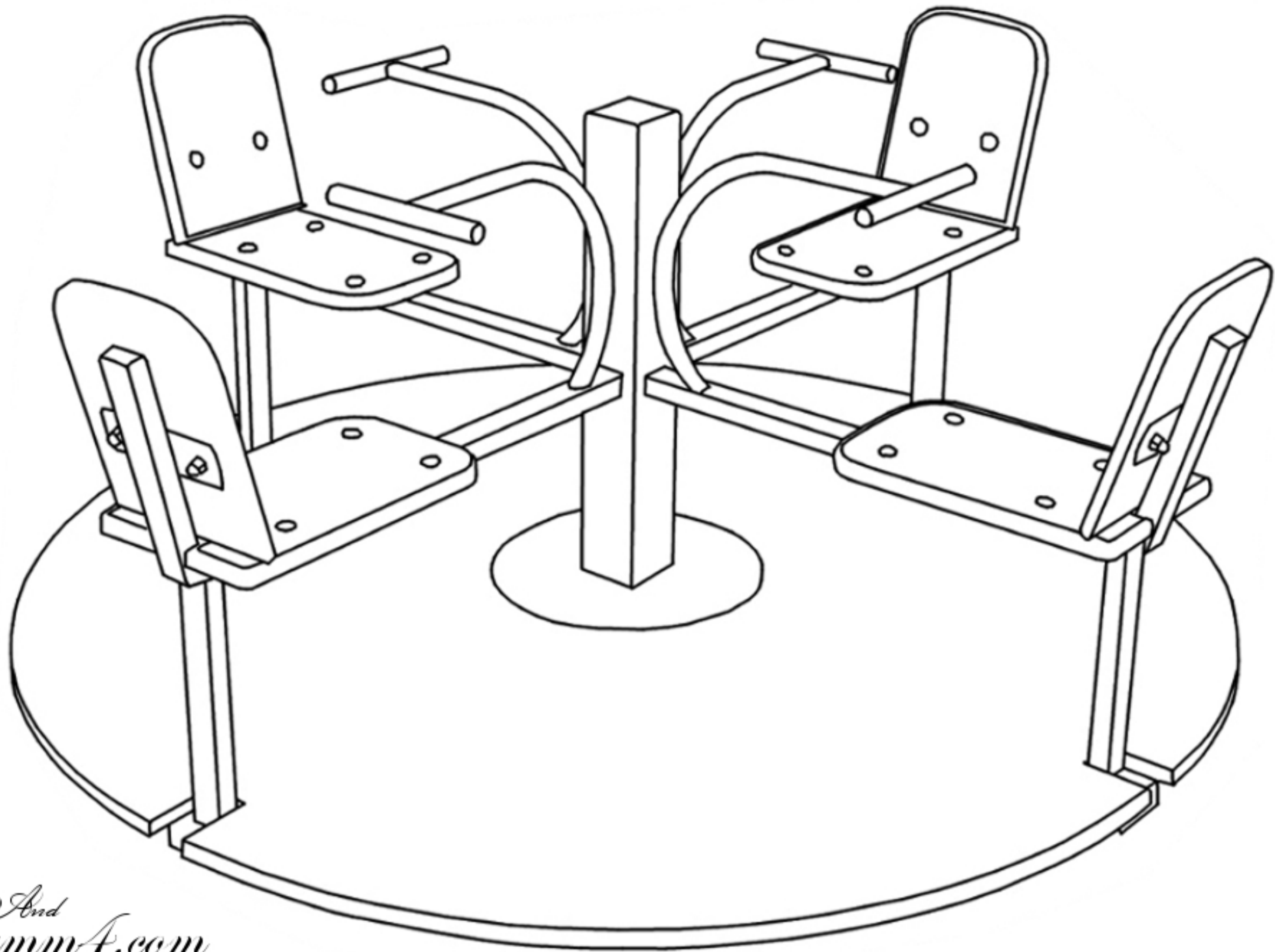
© All And



песочница

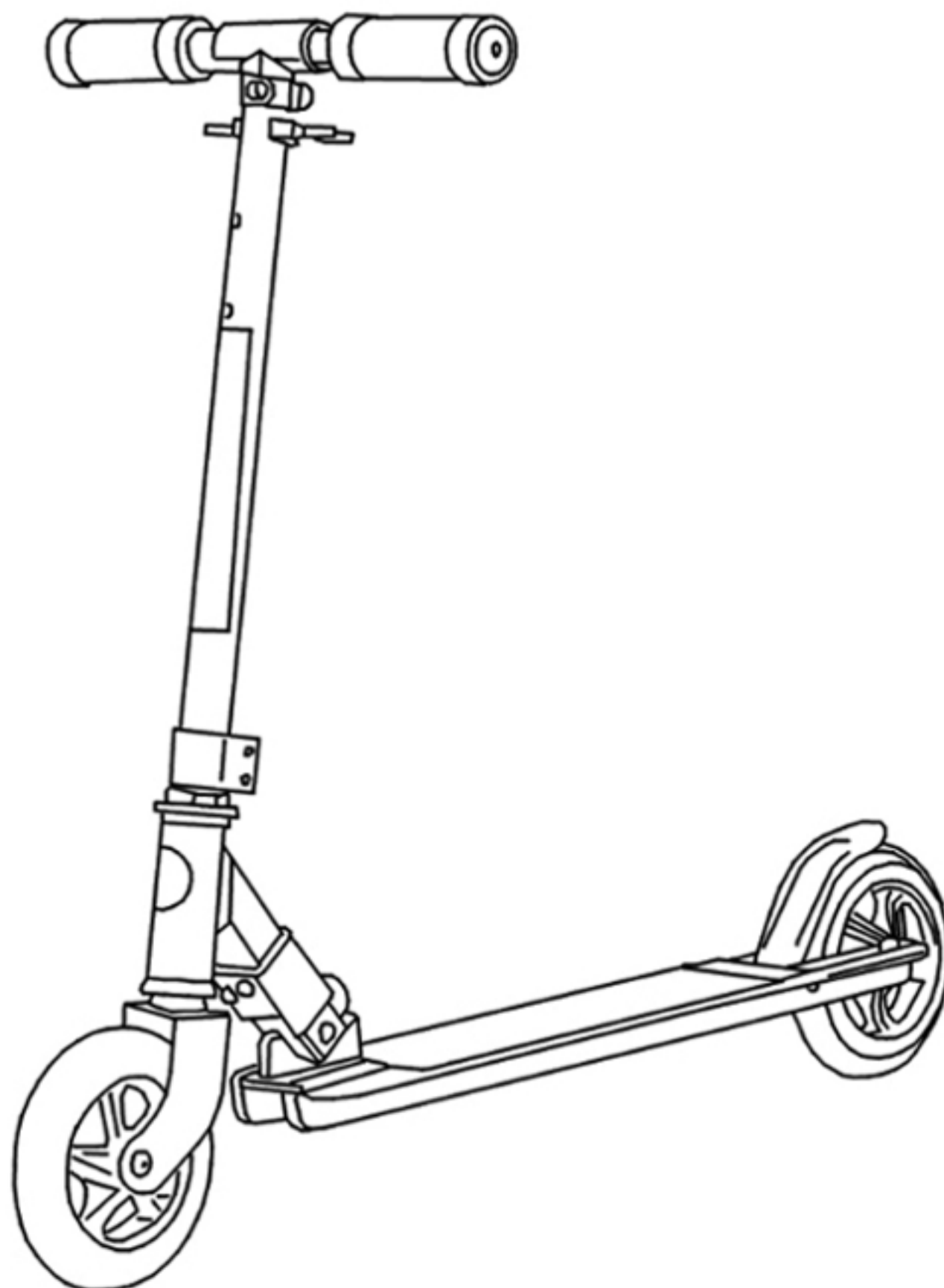
sandpit [ˈsændpɪt]

карусель roundabout [ˈraundəbaʊt]



© All And  
www.umm4.com

www.umm4.com  
© All And

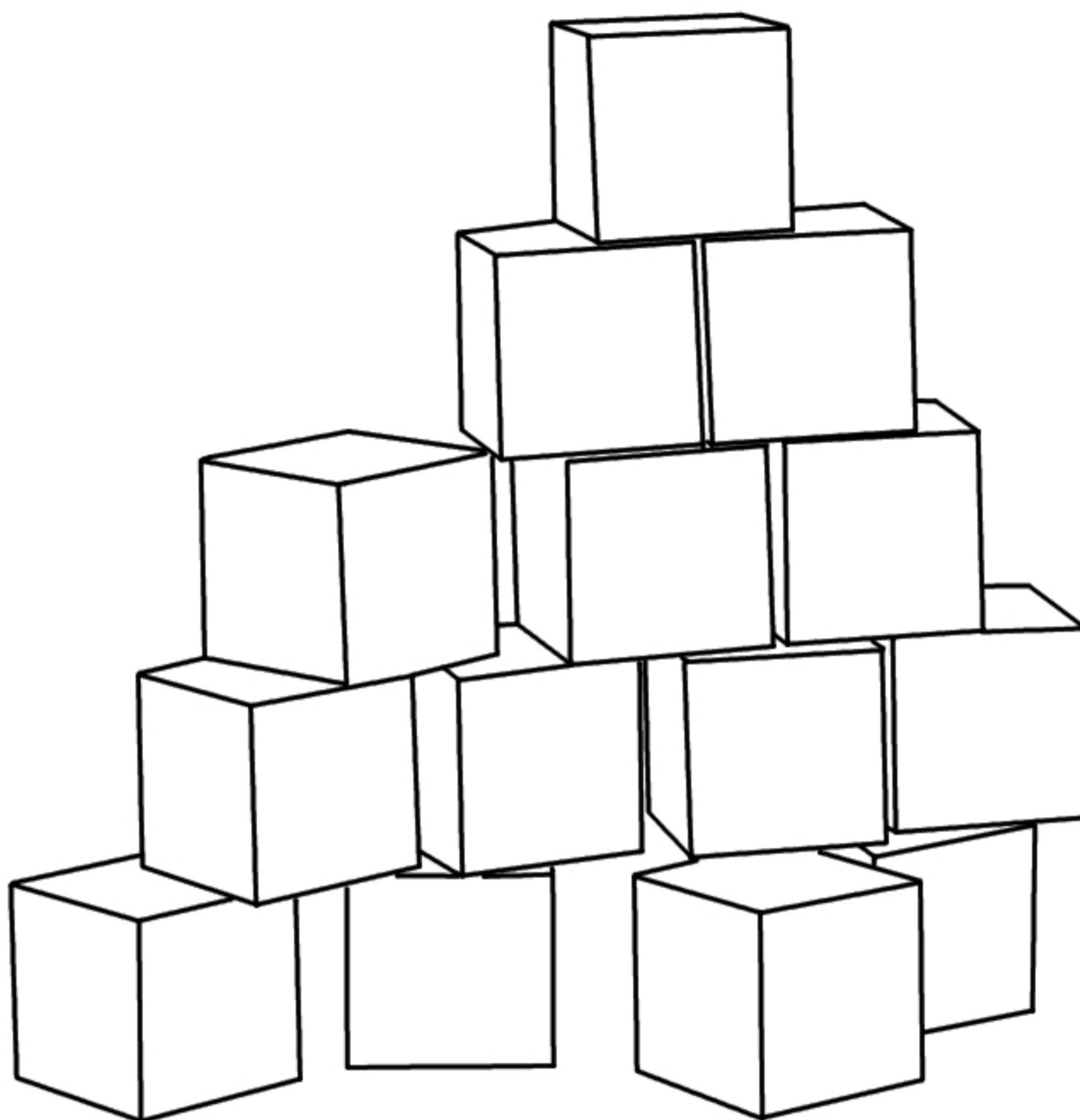


самокат

scooter [ˈsku:tə]

кубики

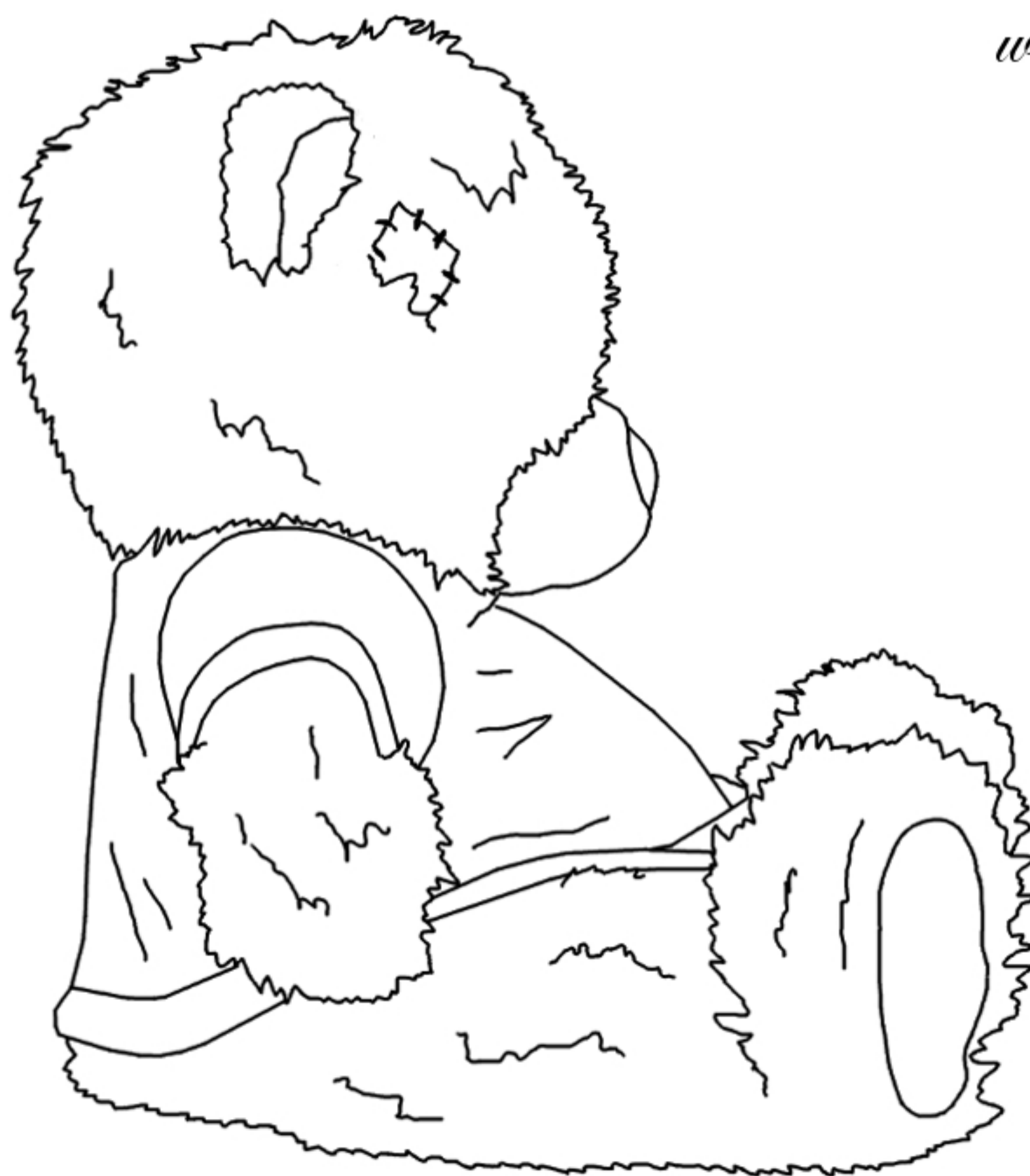
building bricks [ˈbɪldɪŋ bɹɪks]



© All And  
www.umm4.com

www.umm4.com

© All And



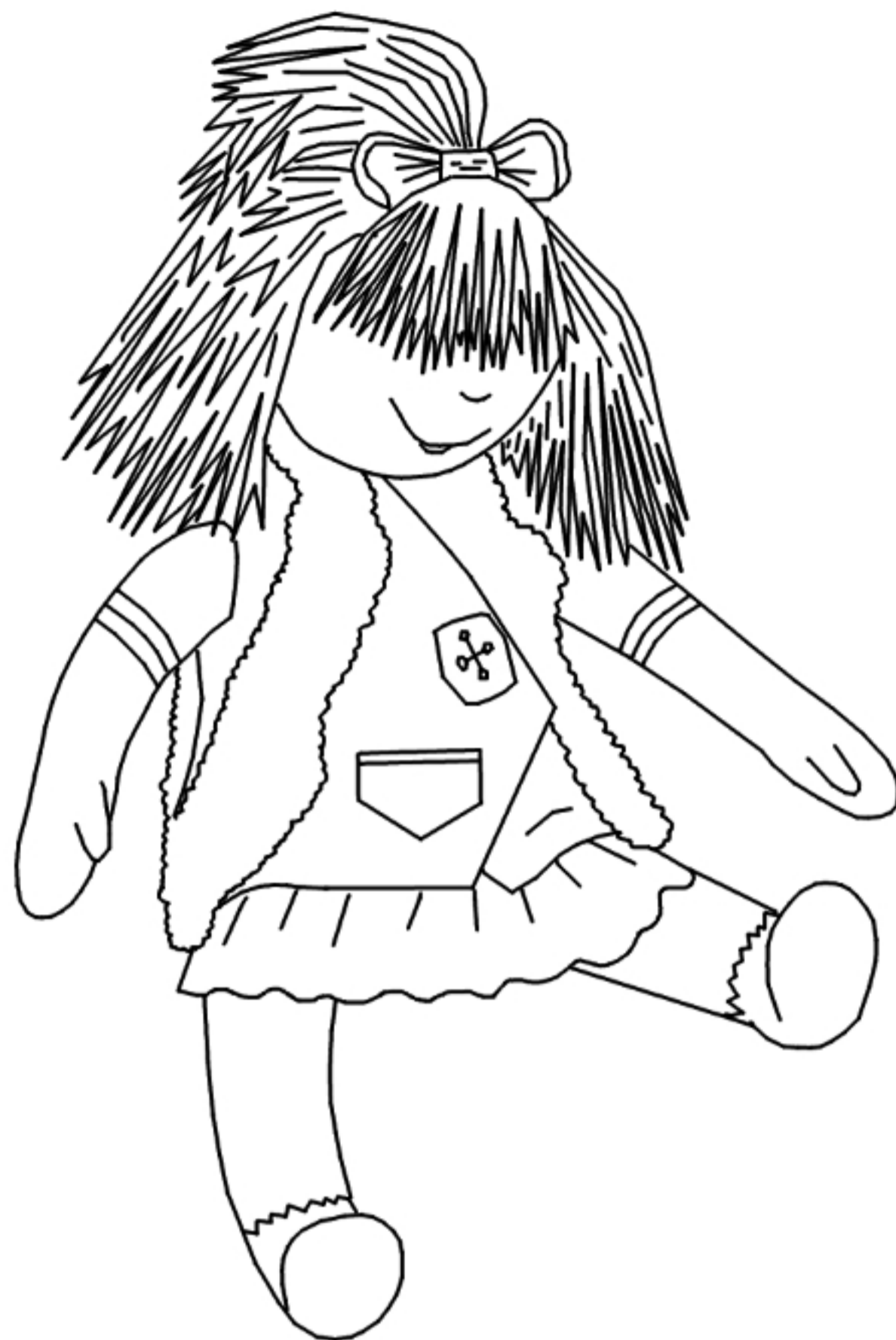
мишка

teddy-bear [ˈtediˈbɛə]



кукла

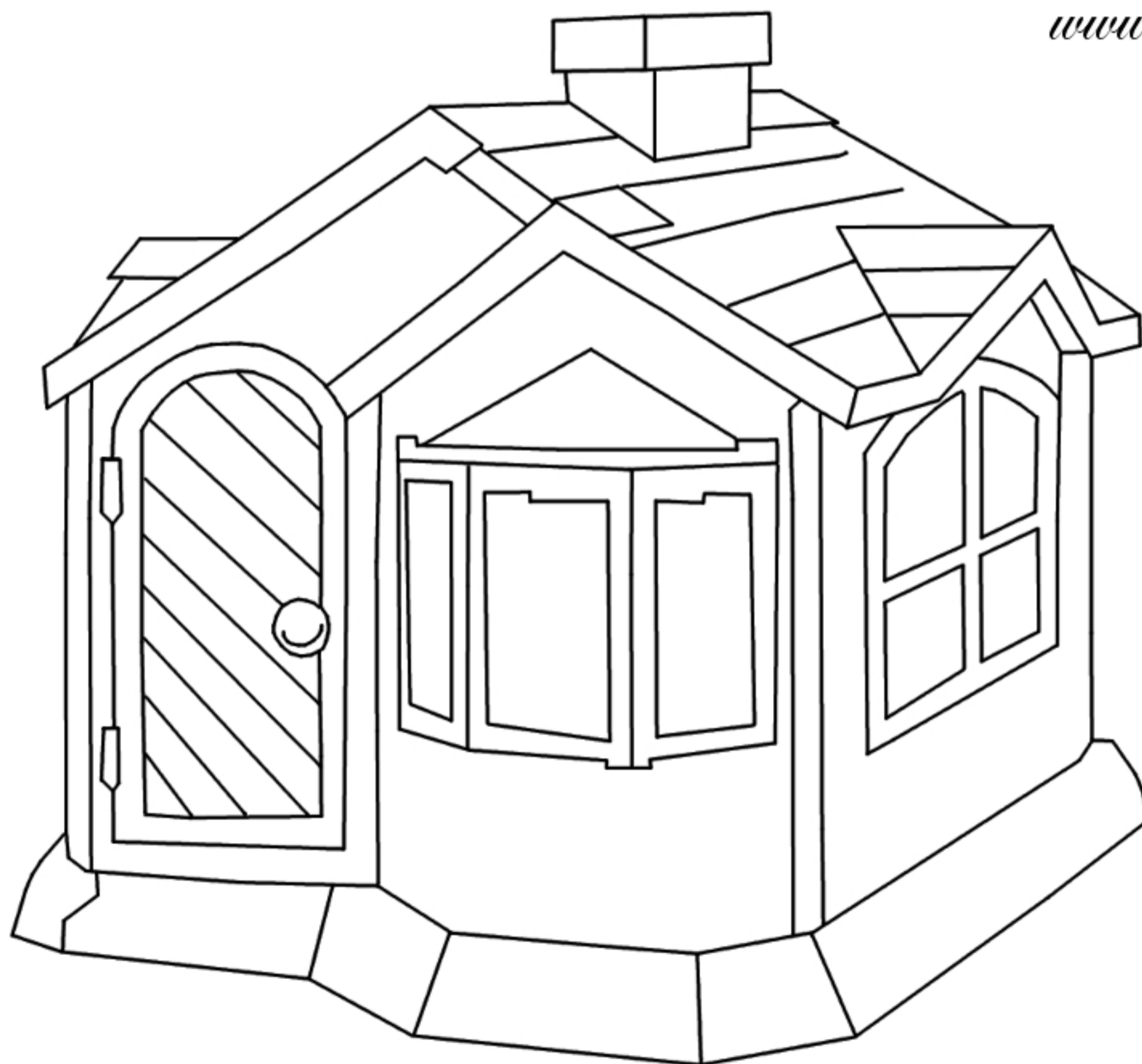
doll [dɔl]



© All And  
www.umm4.com

www.umm4.com

© All And

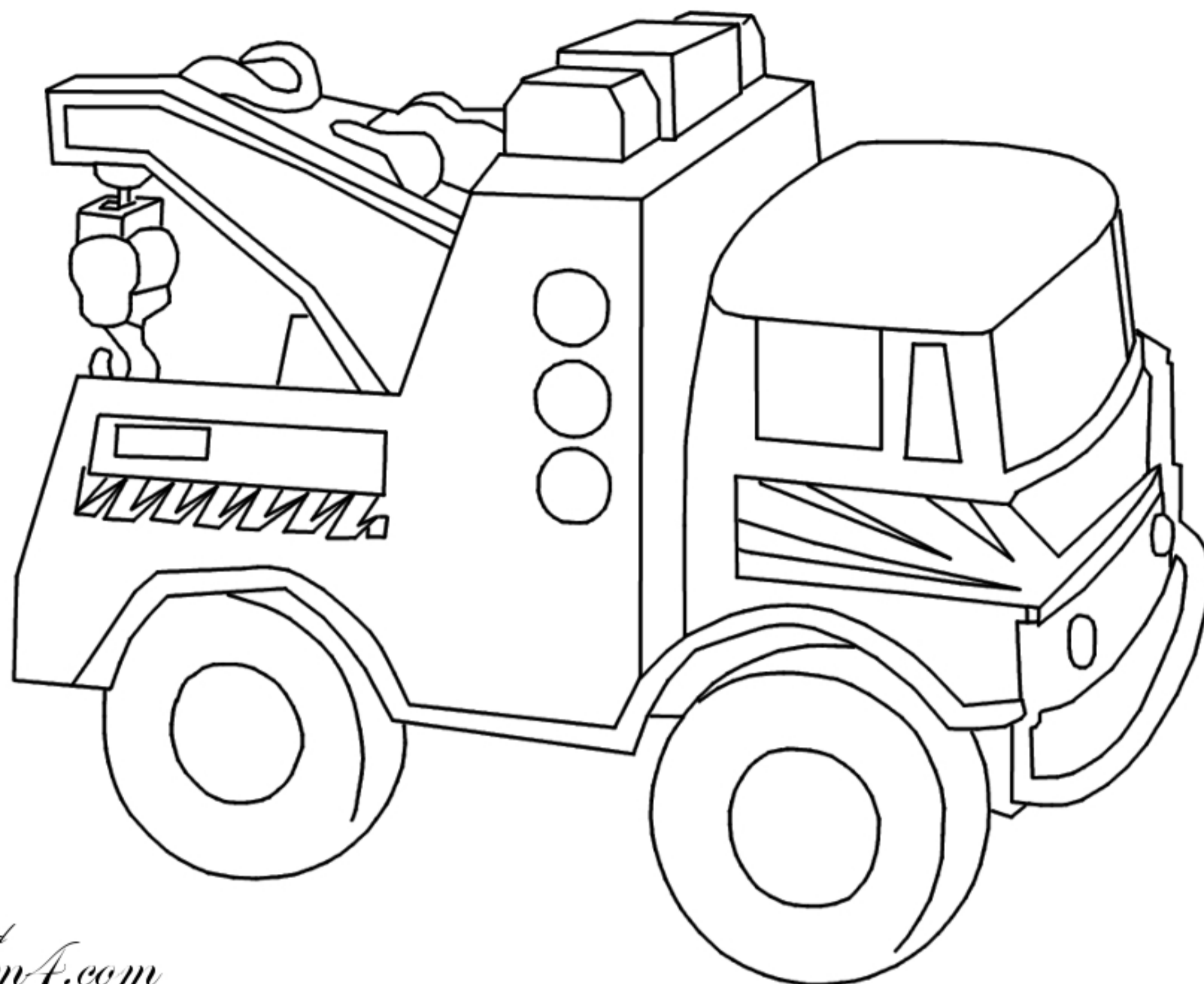


ДОМ

home [həʊm]

машина

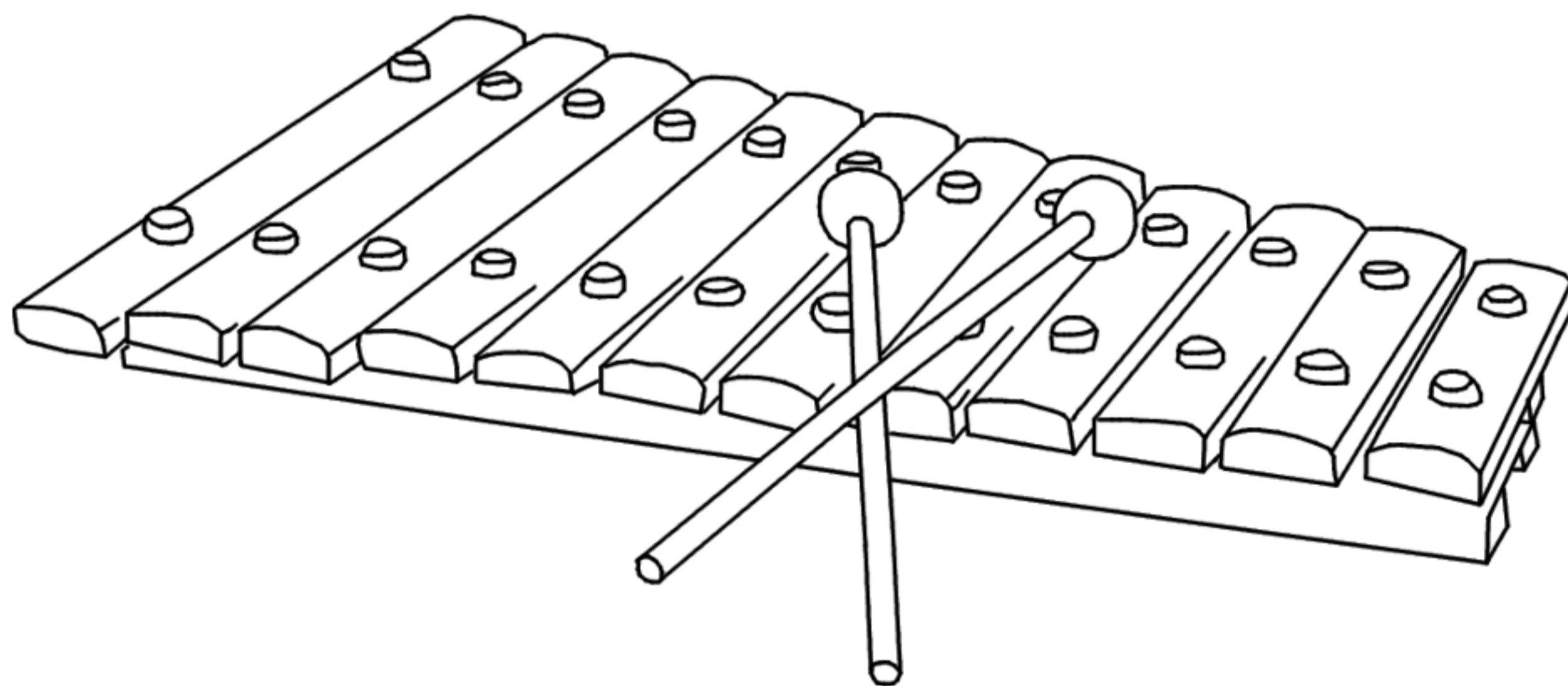
car [kɑ:]



© All And  
www.umm4.com

www.umm4.com

© All And

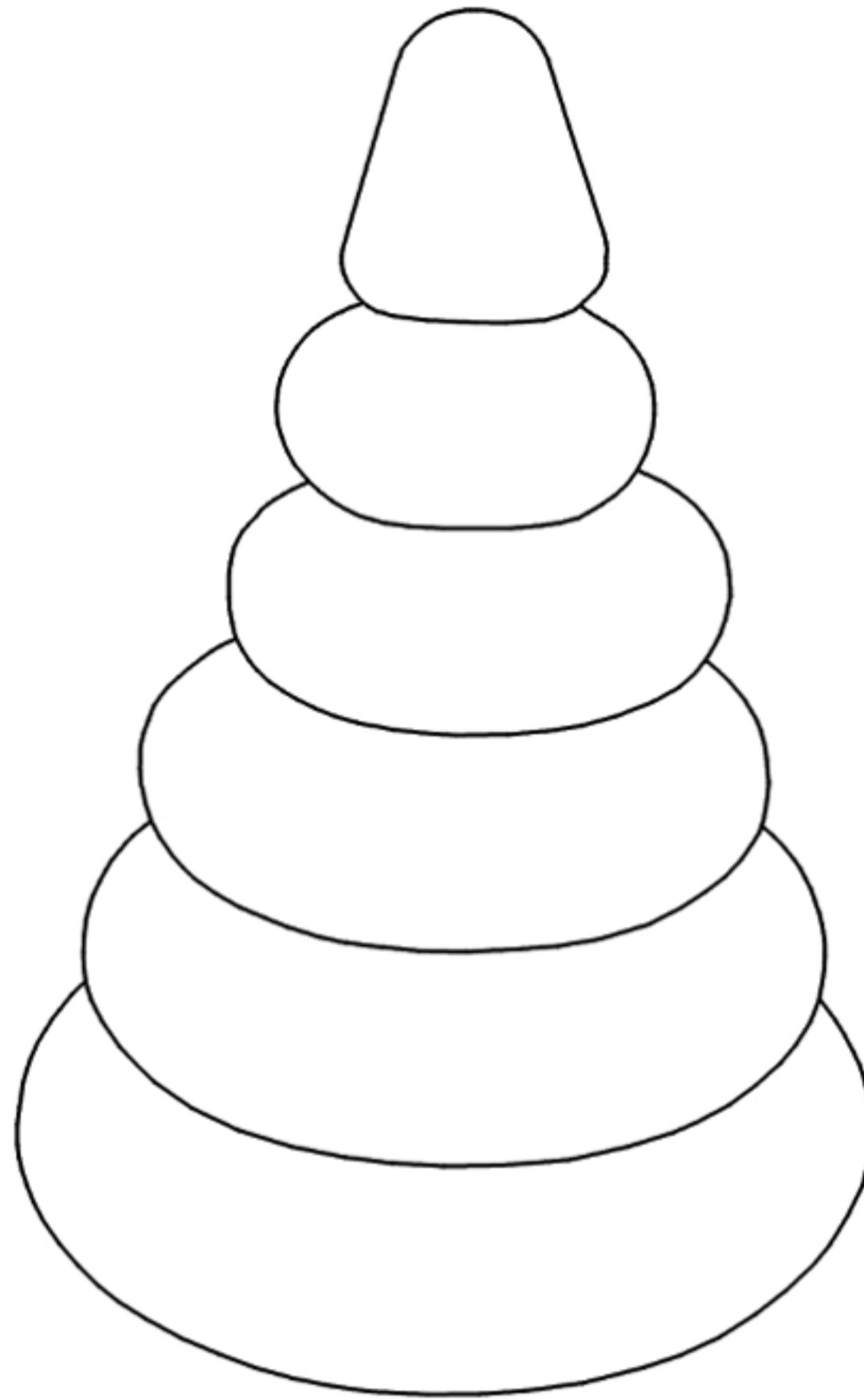


ксилофон

xylophone [ˈzailəfəʊn]

пирамидка

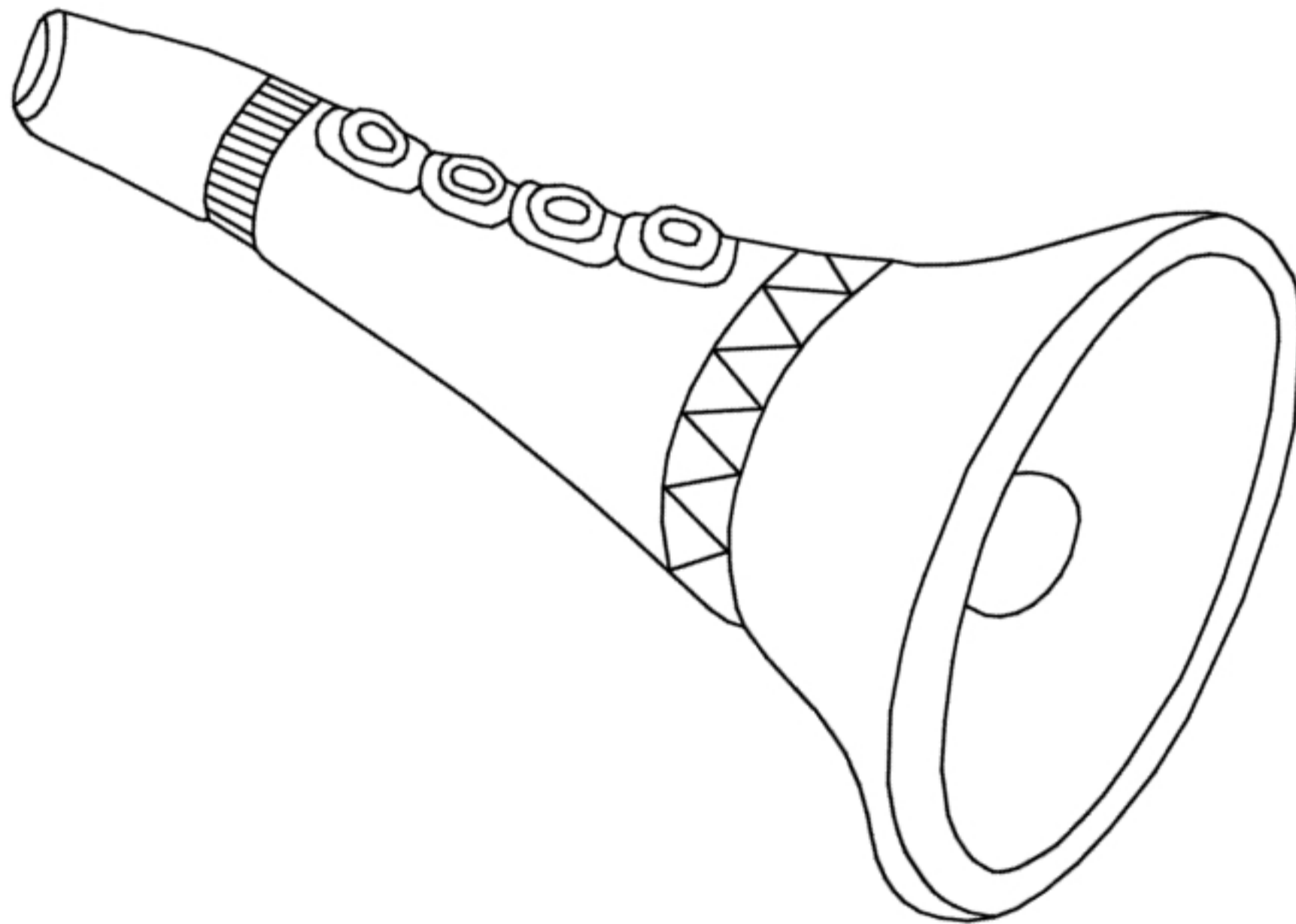
toy pyramid [tɔɪˈpɪrəˌmɪd]



© All And  
www.umm4.com

www.umm4.com

© All And



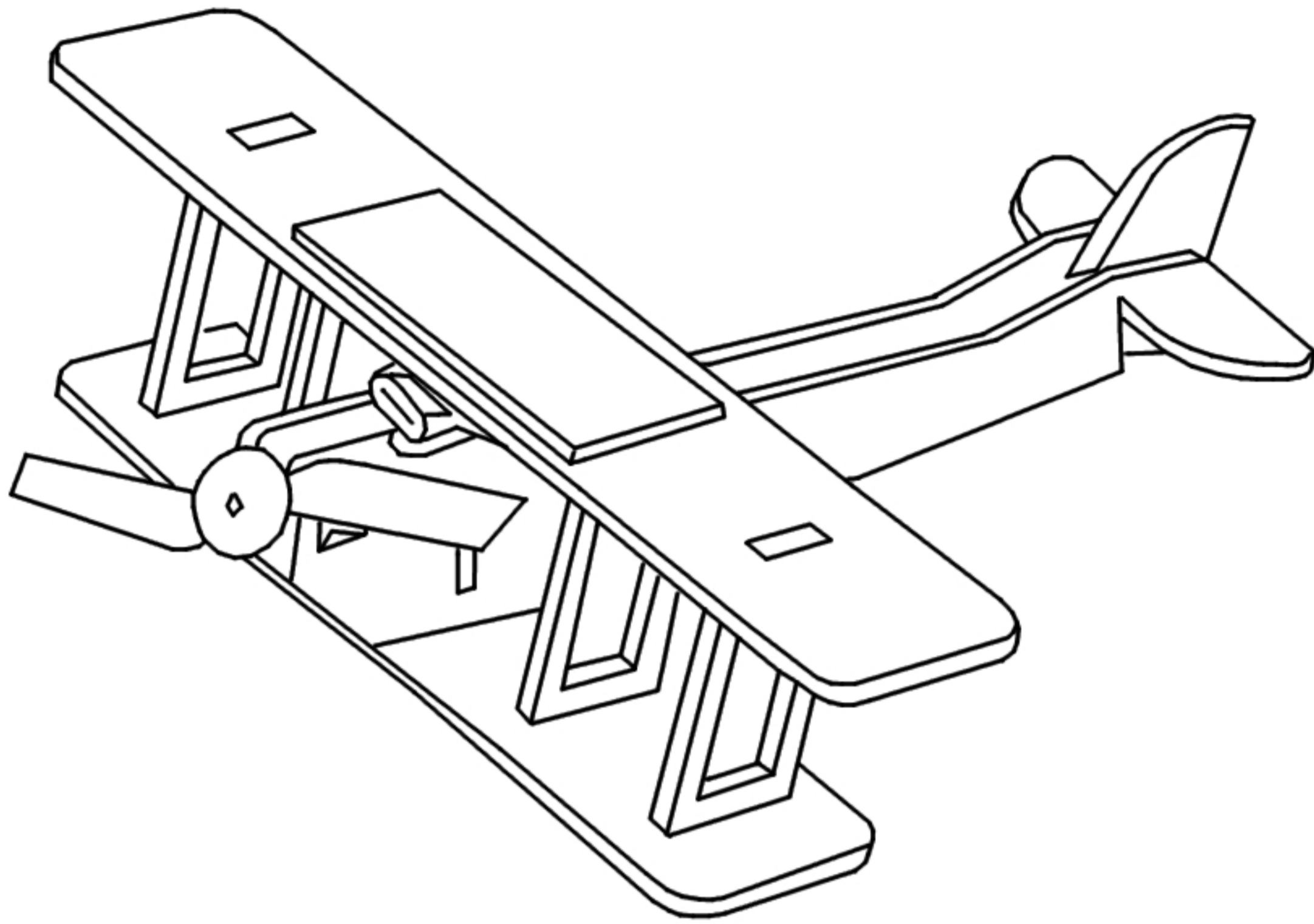
дудочка

pipe [paɪp]



самолет

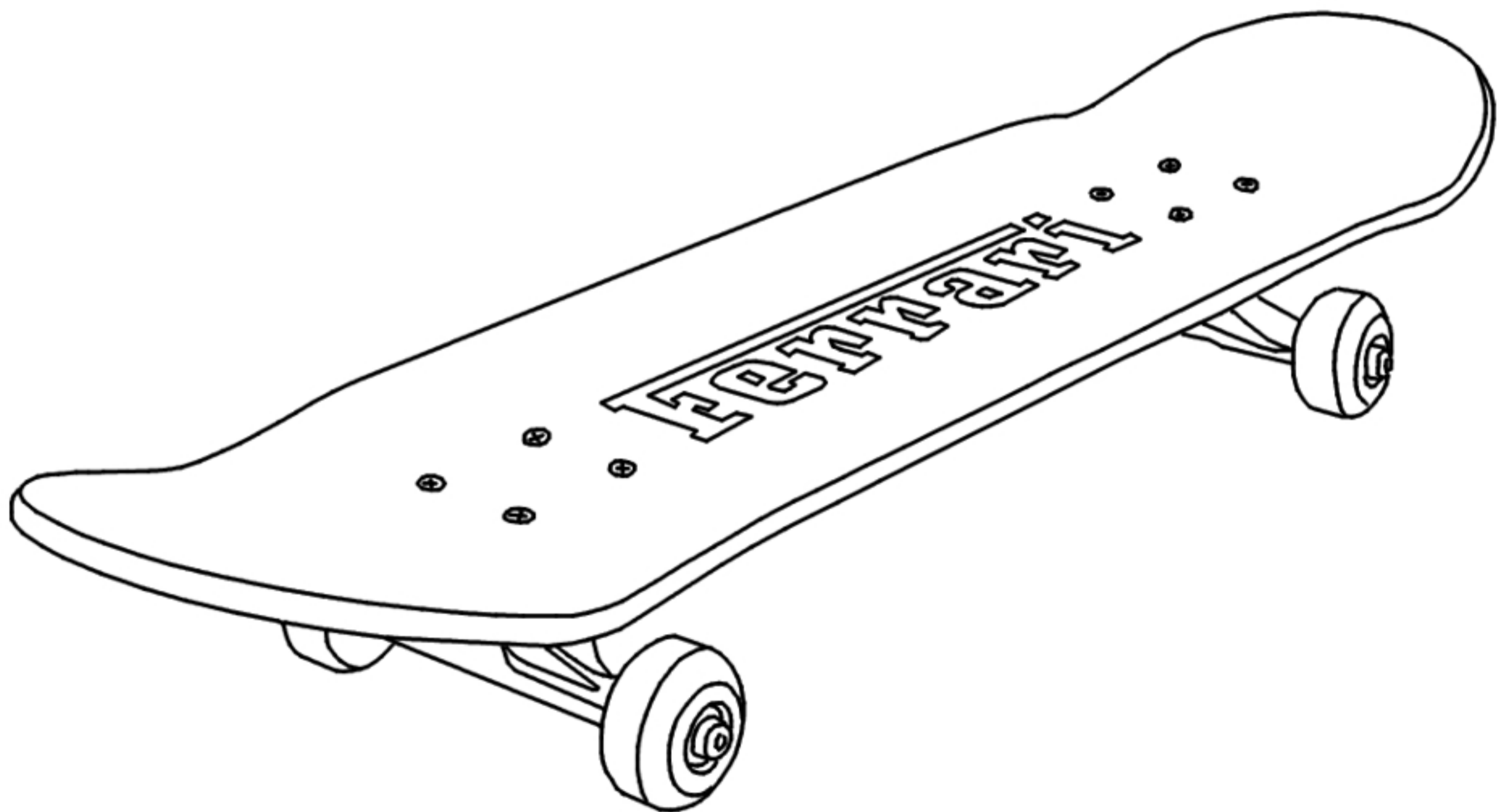
airplane [ˈeəpleɪn]



© All And  
www.umm4.com

www.umm4.com

© All And

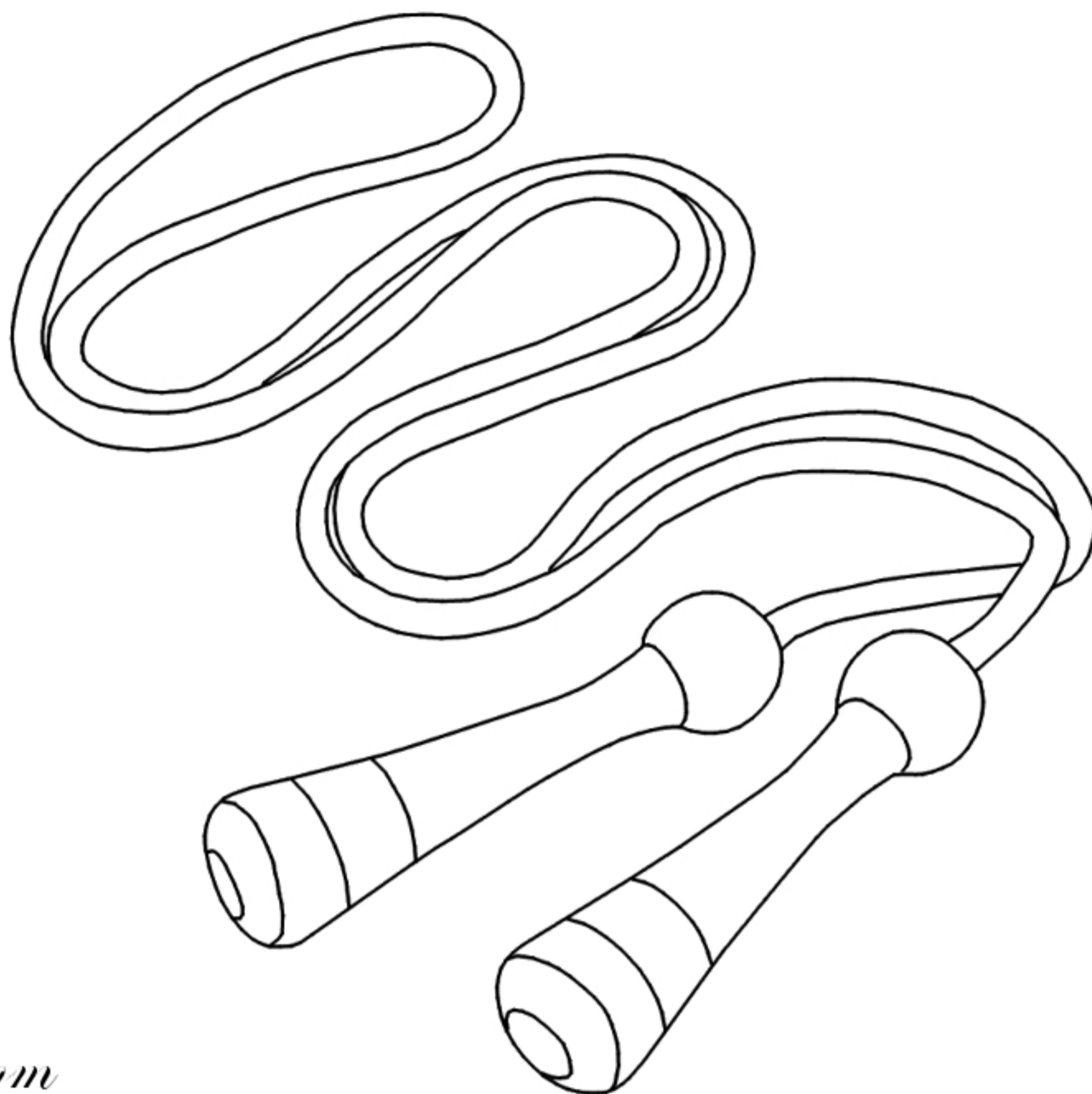


скейтборд

skateboard [ˈskeɪtbɔ:d]

скакалка

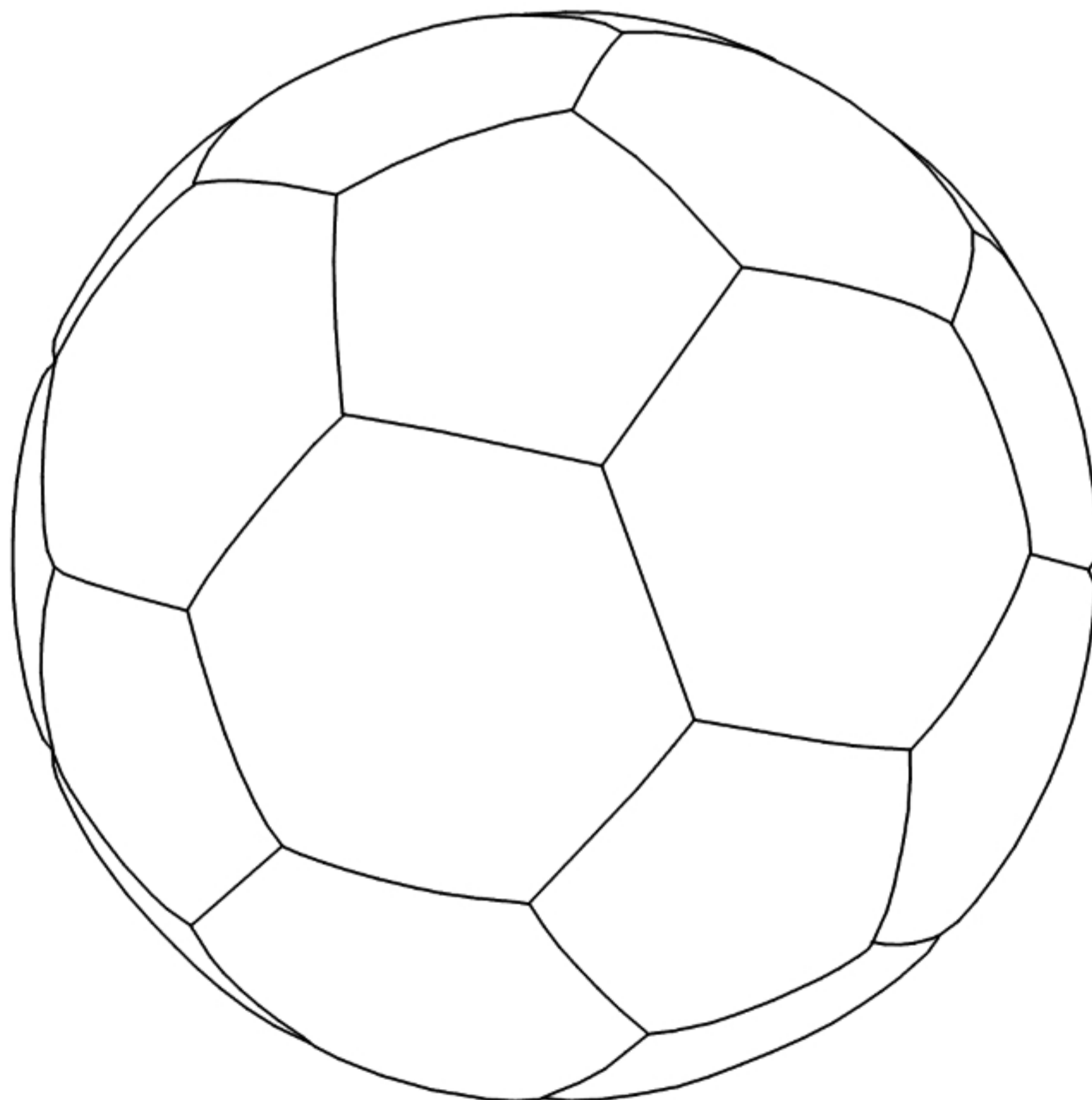
skipping-rope [ˈskɪpɪŋrəʊp]



© All And  
www.umm4.com

www.umm4.com

© All And

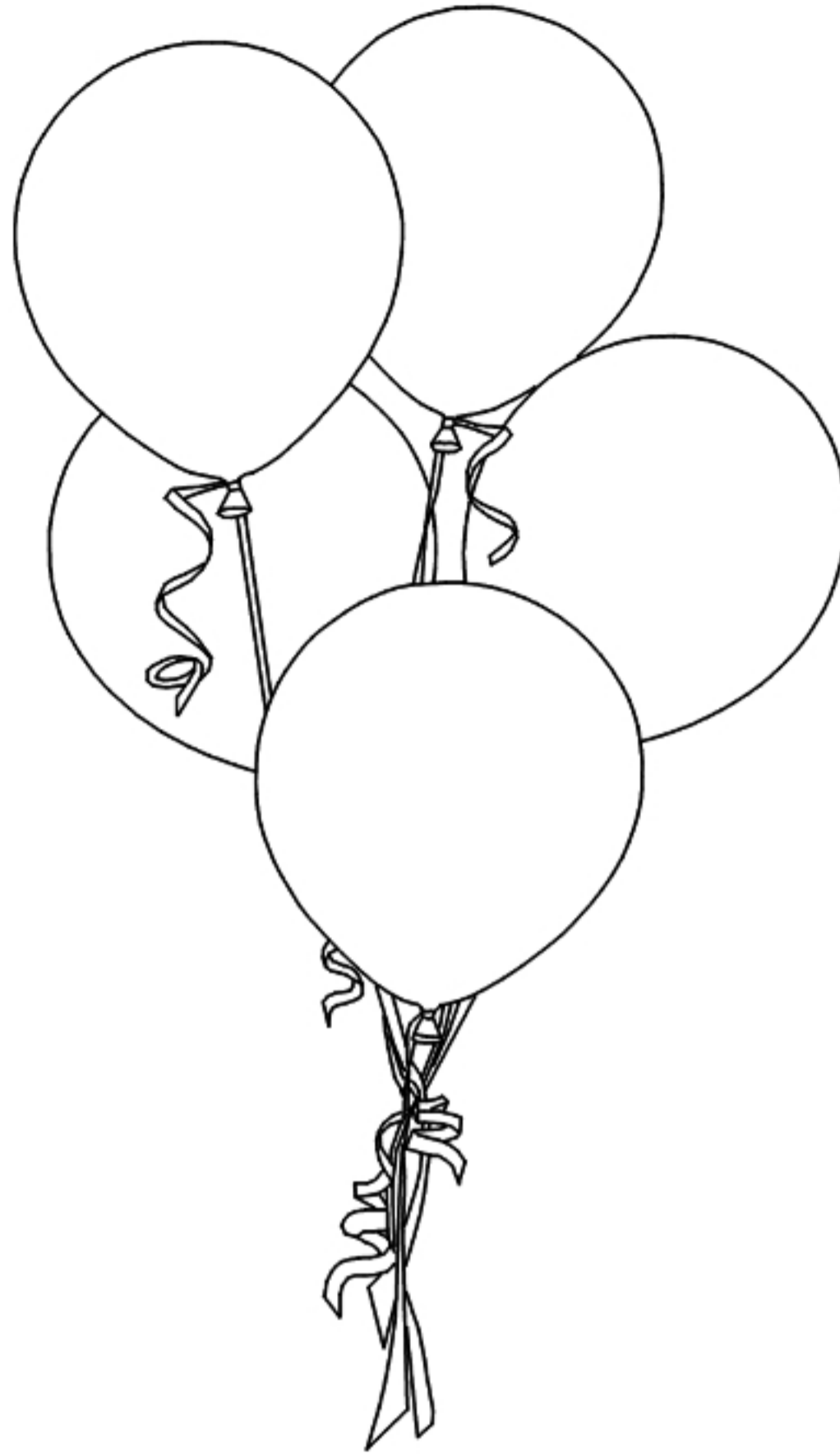


МЯЧ

ball [bɔ:l]

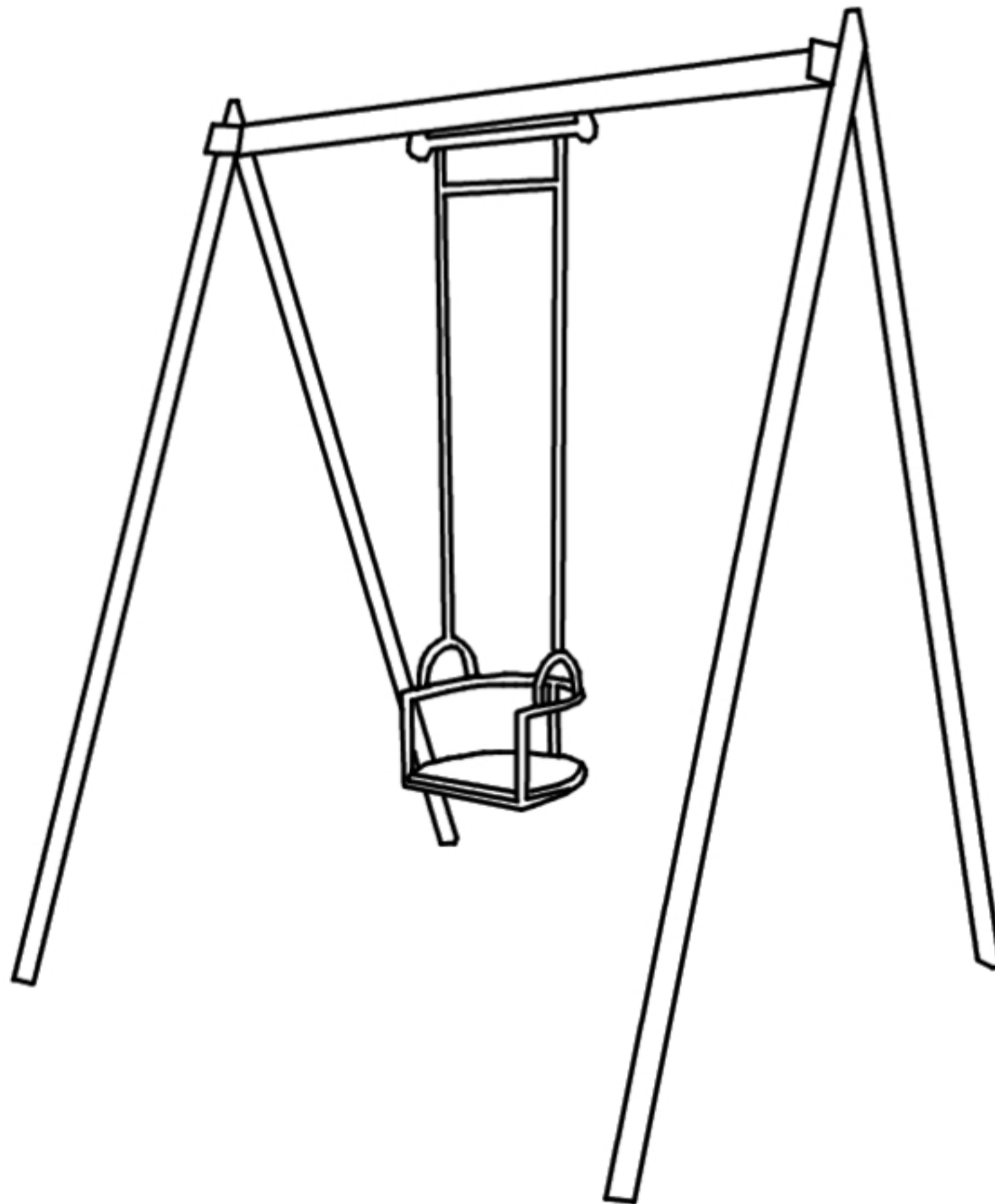
шарики

balloons [bə`lu:nz]



© All And  
[www.umm4.com](http://www.umm4.com)

[www.umm4.com](http://www.umm4.com)  
© All And

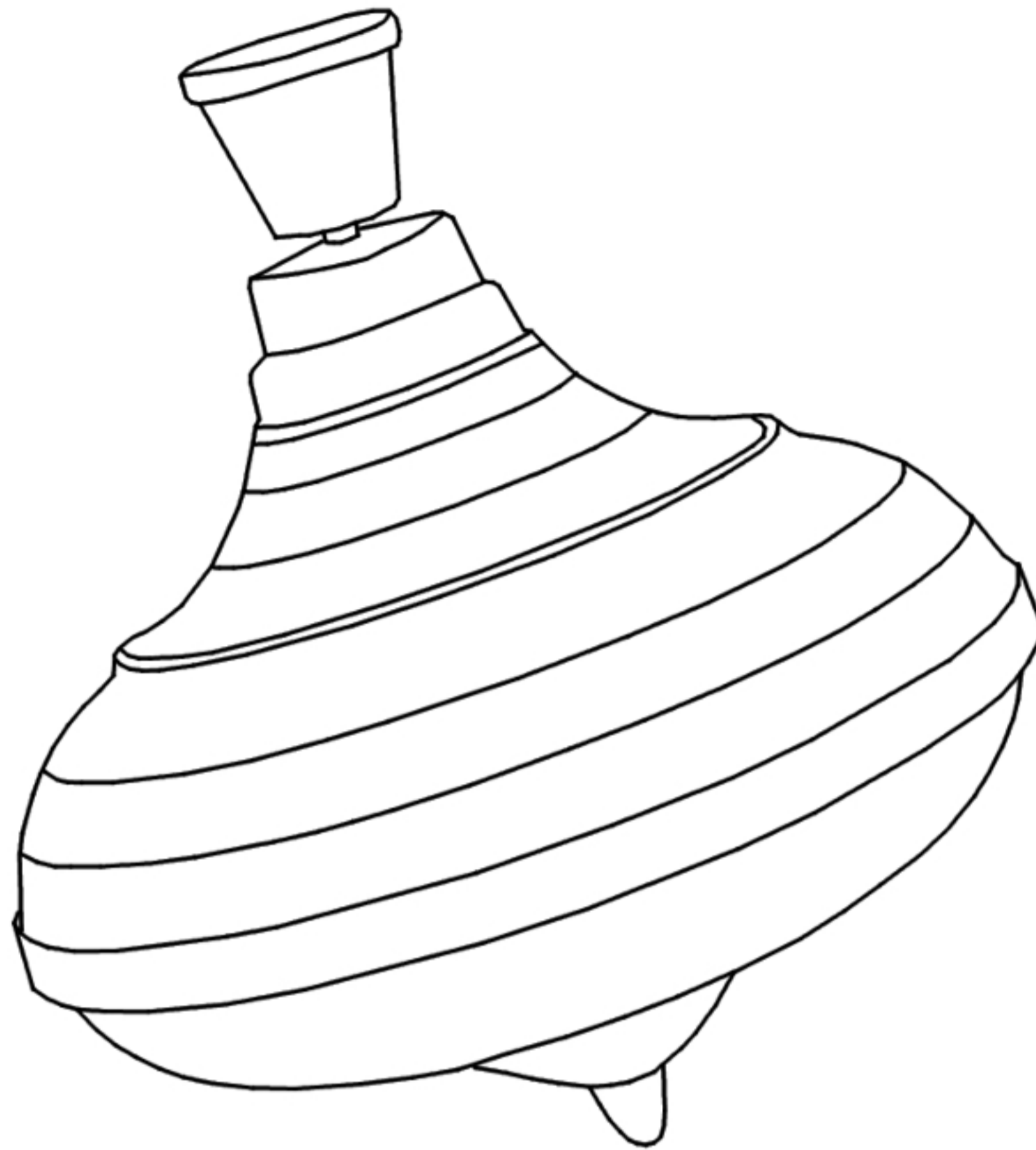


воздушные качели

swing [swɪŋ]

юла

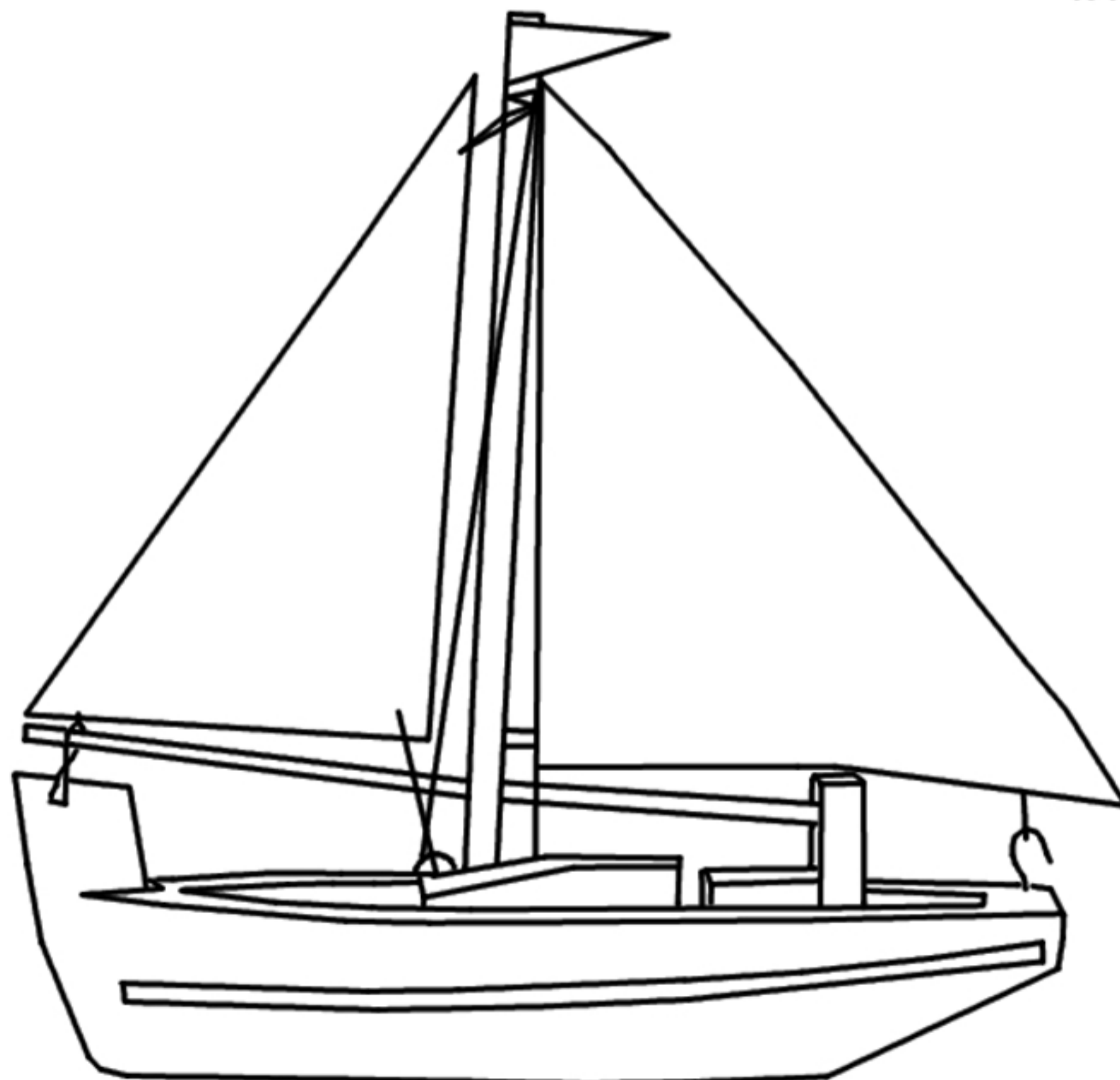
top [tɒp]



© All And  
www.umm4.com

www.umm4.com

© All And



кораблик

boat [bəʊt]